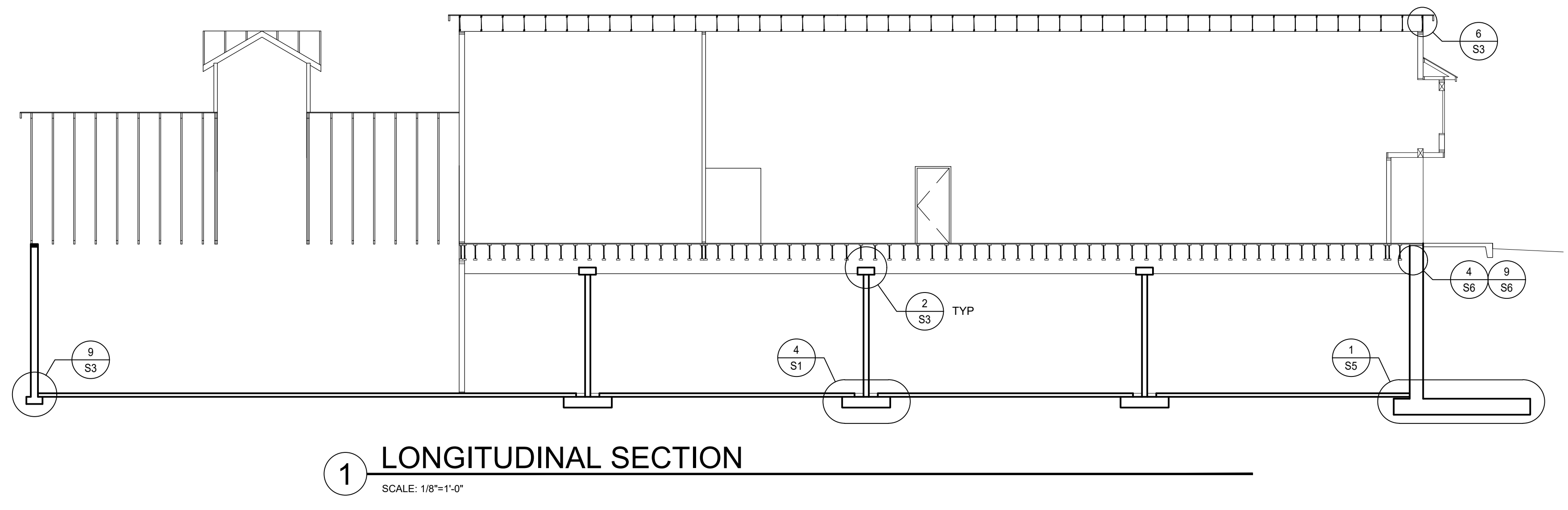
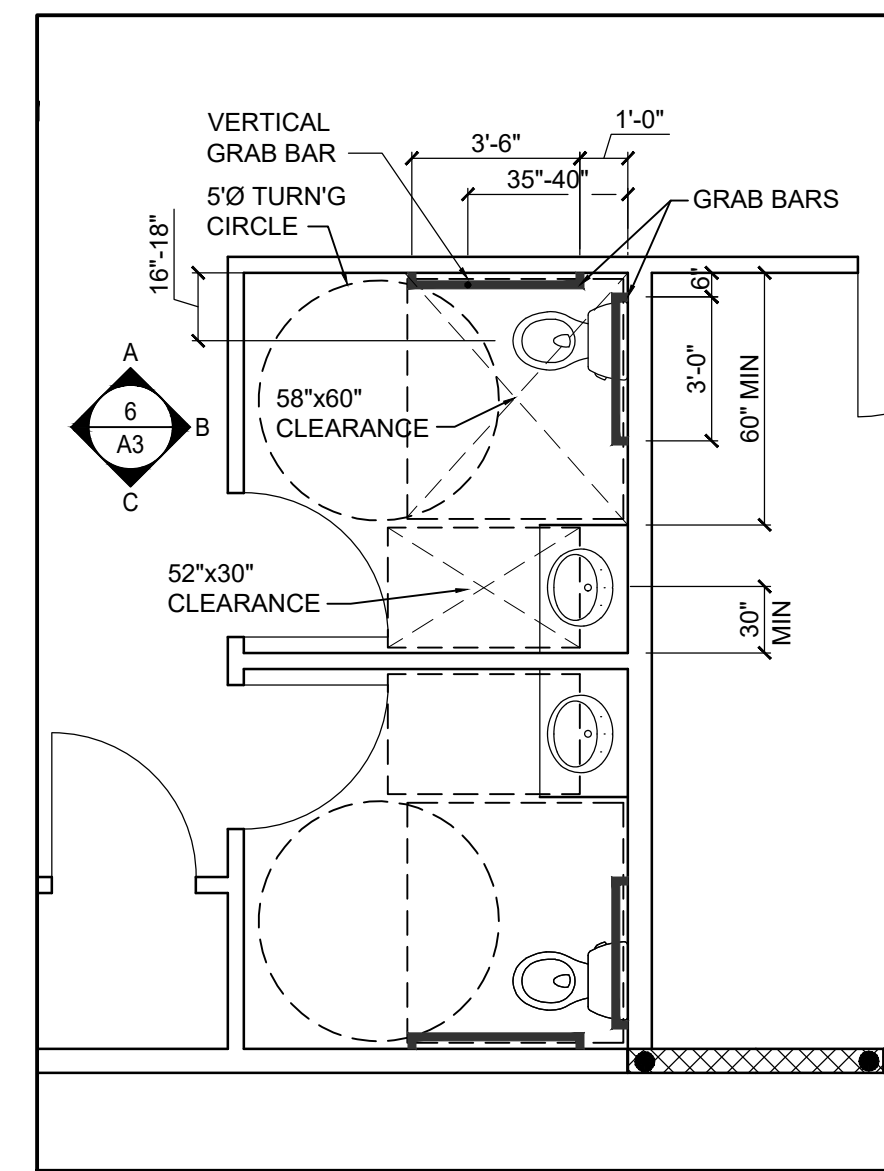


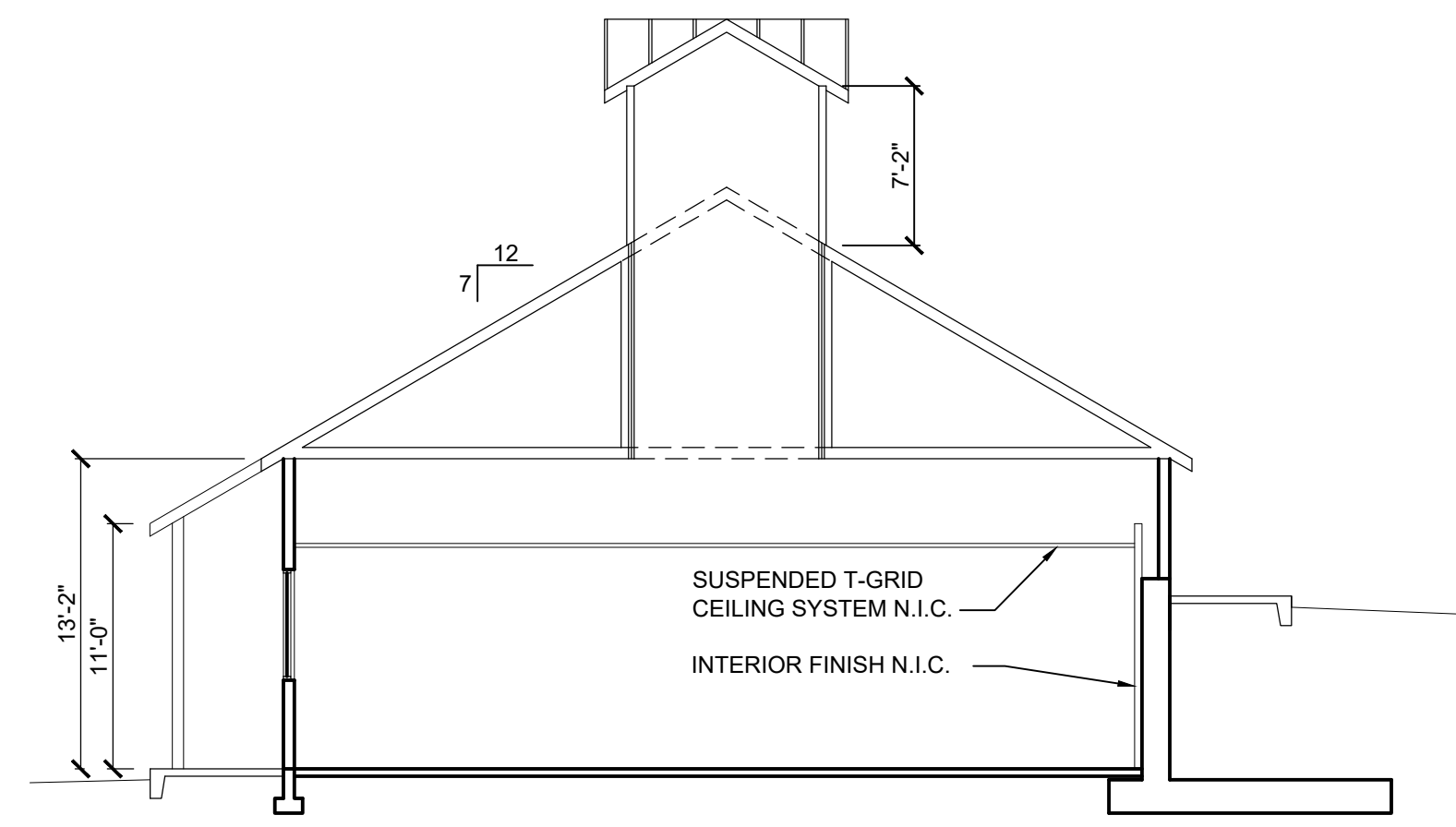
2 CROSS SECTION
SCALE: 1/8"=1'-0"



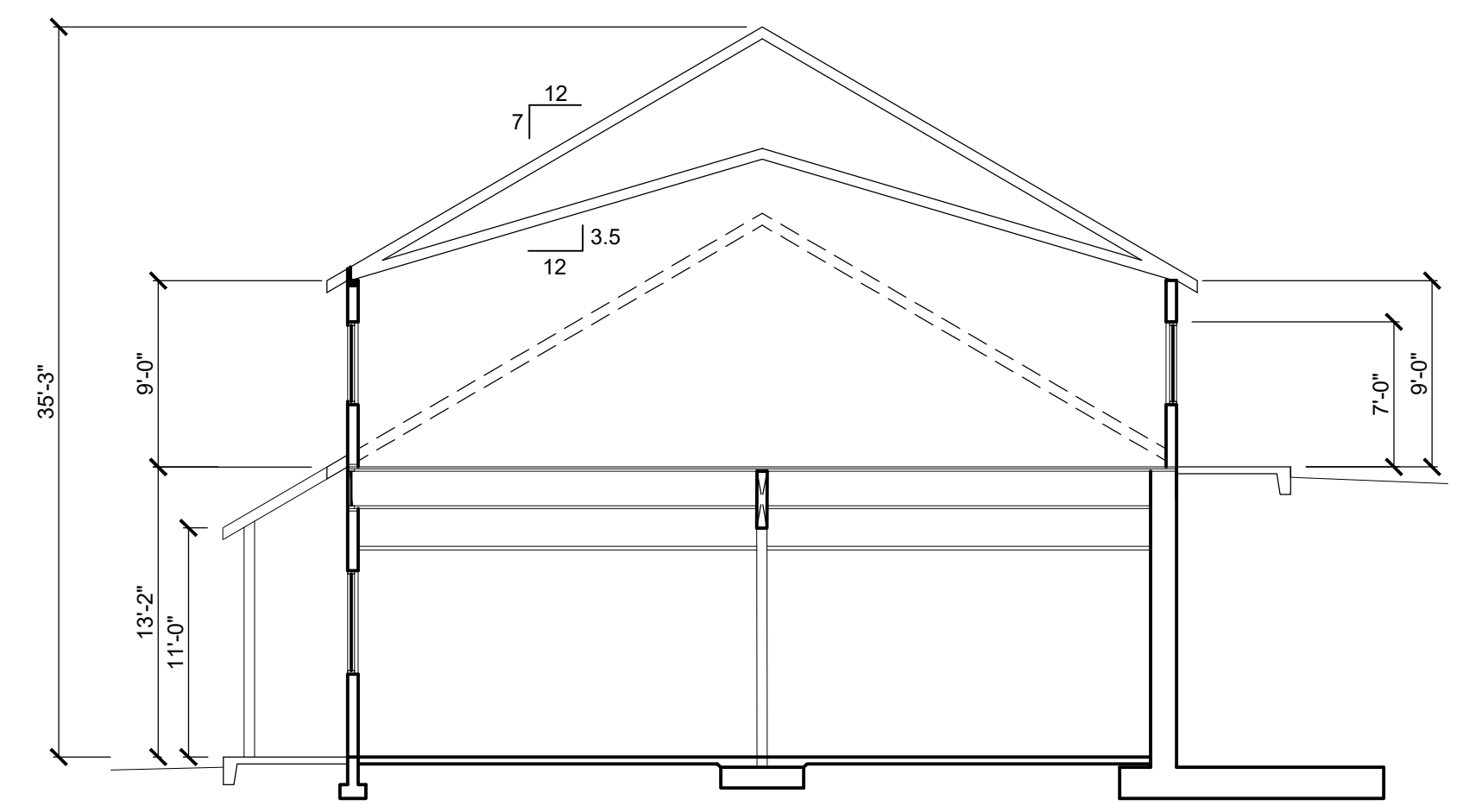
1 LONGITUDINAL SECTION
SCALE: 1/8"=1'-0"



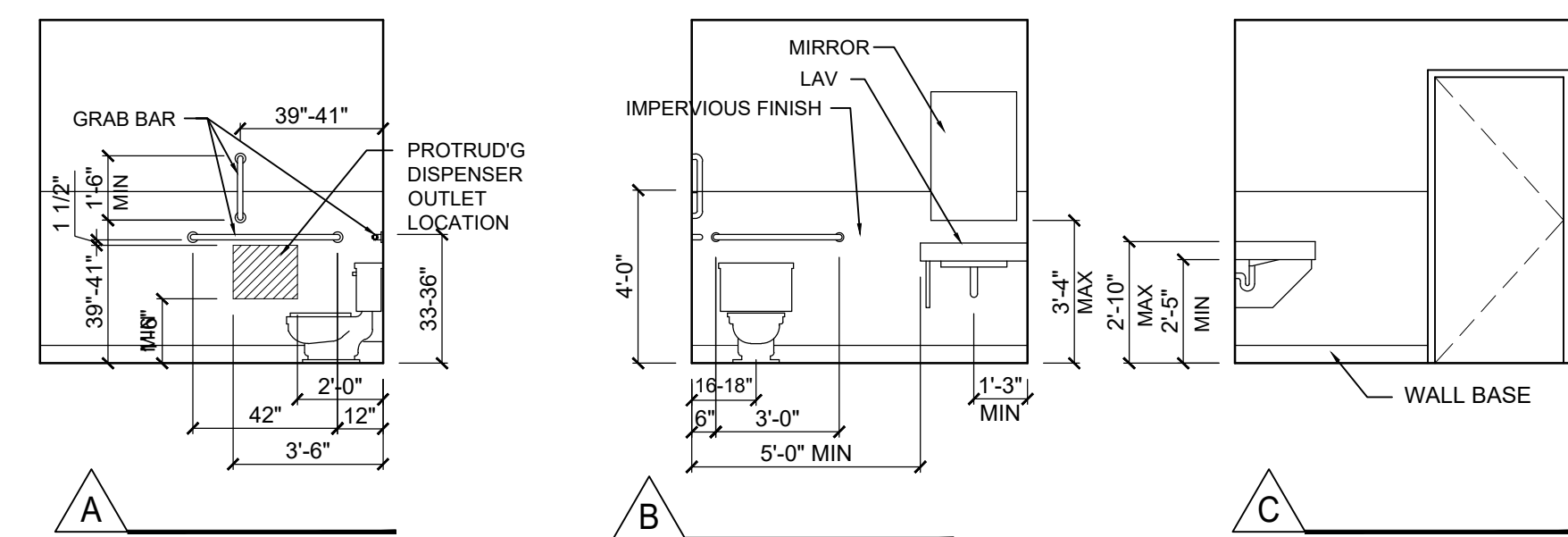
6 ENLARGED PLAN
SCALE: 1/4"=1'-0"



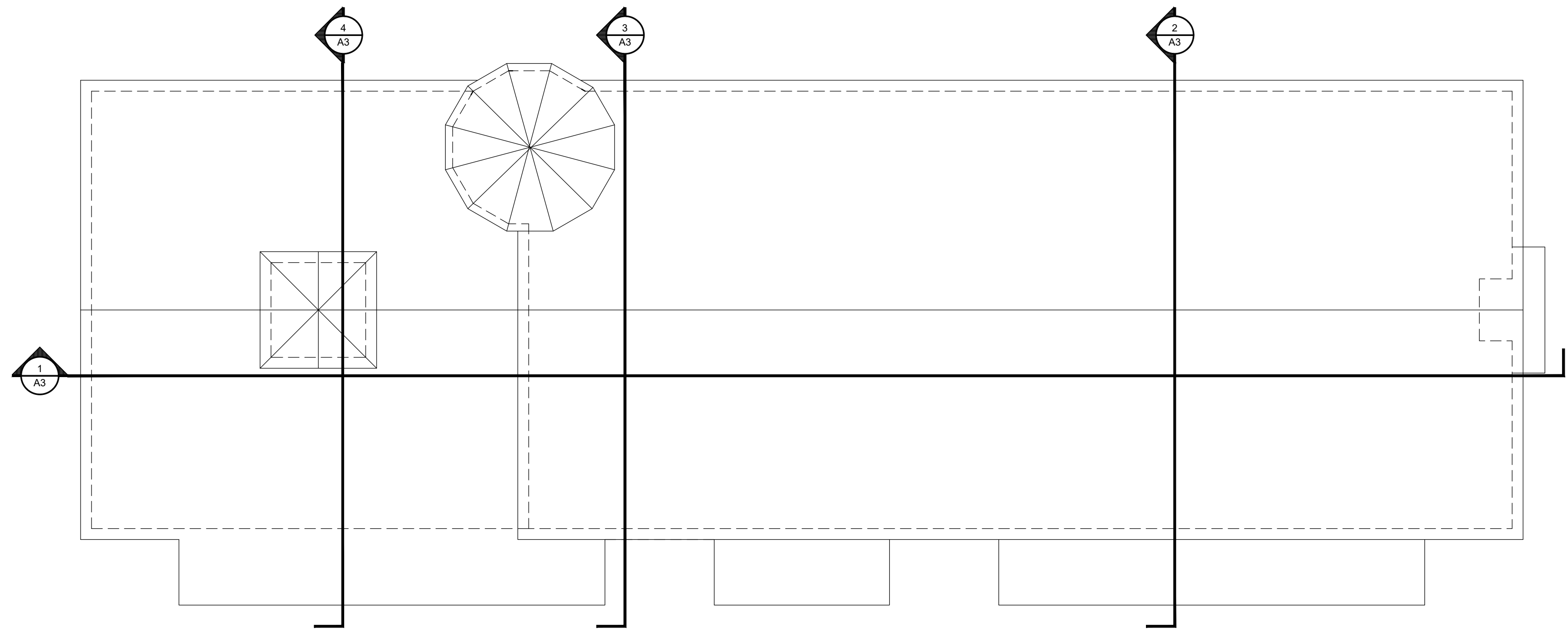
4 CROSS SECTION
SCALE: 1/8"=1'-0"



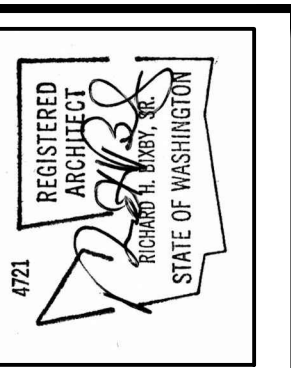
3 CROSS SECTION
SCALE: 1/8"=1'-0"



7 INTERIOR ELEVATIONS
SCALE: 1/4"=1'-0"



5 ROOF PLAN
SCALE: 1/8"=1'-0"



Richard Bixby-Architect
5037 NE. 15th AVE. PORTLAND OR 97211
503-752-7923 EMAIL: rhbarc@t@gmail.com

HERITAGE CENTER BLDG 'B'
RITE MENTOR INVESTMENTS
LA CENTER, WASHINGTON

DRAWING CONTENTS	BUILDING CROSS SECTIONS	DATE	REVISED
	TOILET INTERIOR ELEVATIONS		
PROJECT NUMBER	201802	DATE	2/20/2019

SHEET NUMBER
A3